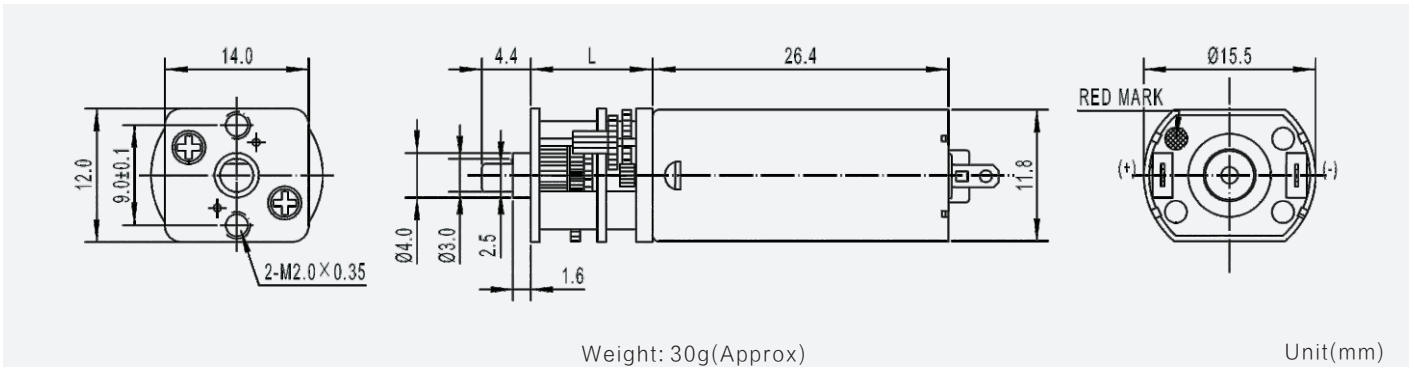
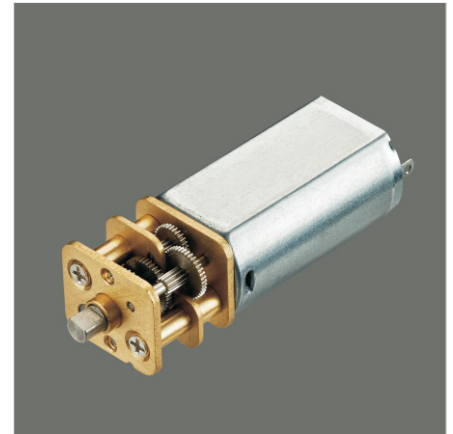


GM14-050SH

14mm gearbox plus 050 permanent magnet DC motor

Module	0.15/0.2	
Rated torque (kg.cm)	1.0 kg.cm max	
Max momentary tolerance torque (kg.cm)	2.0 kg.cm max	
Reduction ratio	1/30、1/63	1/115、1/130 1/250、1/300 1/350
Number of gear stages	4	5
Gearbox length L (mm)	12.0	



Gear Motor Technical Data

Reduction ratio		30	63	115	130	150	250	350			
6.0V	No-load speed(rpm)	340	190	105	95	80	50	35			
	Rated speed(rpm)	285	158	92	78	66	42	31			
	Rated torque(kg.cm)	0.22	0.44	0.6	0.8	0.9	1.0	1.0			
12.0V	No-load speed(rpm)	410	200	110	98	85	50	35			
	Rated speed(rpm)	305	150	80	73	63	40	28			
	Rated torque(kg.cm)	0.22	0.44	0.6	0.8	0.9	1.0	1.0			

Motor Technical Data

Motor model	Rated voltage	No-load		Rated			Stall		
		Speed	Current	Speed	Torque	Current	Power	Torque	Current
	VDC	r/min	mA	r/min	g.cm	mA	W	g.cm	A
TFF-050SH-13120	6.0	12500	45	10000	10	255	1.03	50	1.30
TFF-050SH-08240	12.0	12800	35	9700	10	150	0.99	41	0.55

