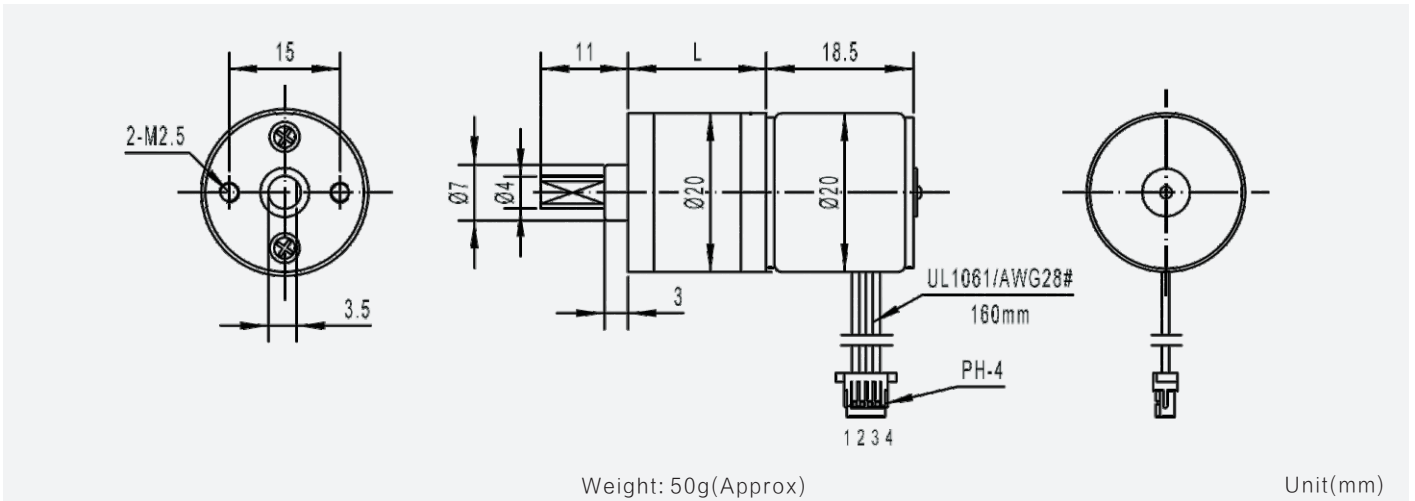
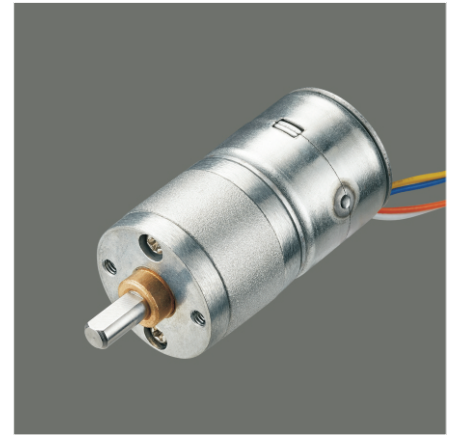


GM20-20BY

20mm gearbox plus 20mm stepper motor

| | | | | |
|--|---------------|------------------------|---|---|
| Module | 0.25/0.3/0.35 | | | |
| Rated torque (kg.cm) | 2.5 kg.cm max | | | |
| Max momentary tolerance torque (kg.cm) | 5.0 kg.cm max | | | |
| Reduction ratio | 1/29、1/31 | 1/56、1/60 1/73、1/78 | 1/107、1/115 1/140、1/150 1/182、1/195 | 1/268、1/287 1/349、1/374 1/456、1/488 |
| Number of gear stages | 4 | 5 | 6 | 7 |
| Gearbox length L (mm) | 15.9 | 17.4 | 18.9 | 20.4 |



Motor Technical Data

| Motor model | Rated voltage | No. of phase | Step angle | Resistance | Current | Inductance | Detent torque | Holding torque | Pull in rate |
|--------------------|---------------|--------------|------------|------------|---------|------------|---------------|----------------|--------------|
| | VDC | | | Ω | mA | mH | g.cm | g.cm | pps |
| TS-20BY-001 | 12.0 | 2 | 18° | 60 | 200 | | 10 | 30 | 700 |

