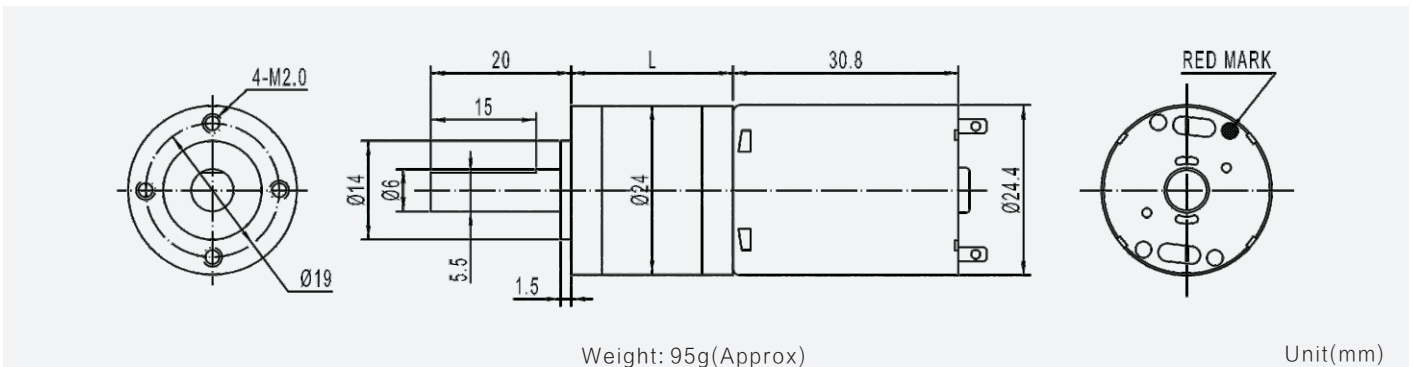


# GMP24-370CA 24mm planetary gearbox plus 370 permanent magnet DC motor



Module	0.4			
Rated torque (kg.cm)	5.0 kg.cm max			
Max momentary tolerance torque (kg.cm)	10.0 kg.cm max			
Reduction ratio	1/4	1/14 1/19 1/27	1/51, 1/71 1/100, 1/139	1/189, 1/264 1/369, 1/516 1/720
Number of gear stages	1	2	3	4
L (mm)	23	28	33	38



## Gear Motor Technical Data

Reduction ratio		19	27	51	71	100	139	189	264	369	516
6.0V	No-load speed(rpm)	280	195	105	75	55	40	29	21	15	11
	Rated speed(rpm)	250	180	95	68	48	35	25	18	13	9
	Rated torque(kg.cm)	0.3	0.5	0.7	1.0	1.4	2.0	2.5	3.5	4.4	5.0
12.0V	No-load speed(rpm)	280	195	105	75	55	40	29	21	15	11
	Rated speed(rpm)	250	180	95	68	48	35	25	18	13	9
	Rated torque(kg.cm)	0.3	0.5	0.7	1.0	1.4	2.0	2.5	3.5	4.4	5.0

## Motor Technical Data

Motor model	Rated voltage	No-load		Rated			Stall		
		Speed	Current	Speed	Torque	Current	Power	Torque	Current
	VDC	r/min	mA	r/min	g.cm	mA	W	g.cm	A
TRK-370CA-22170	6.0	5600	50	4870	25	320	1.25	191	2.1
TRK-370CA-15360	12.0	5600	25	4850	25	170	1.24	186	1.1

