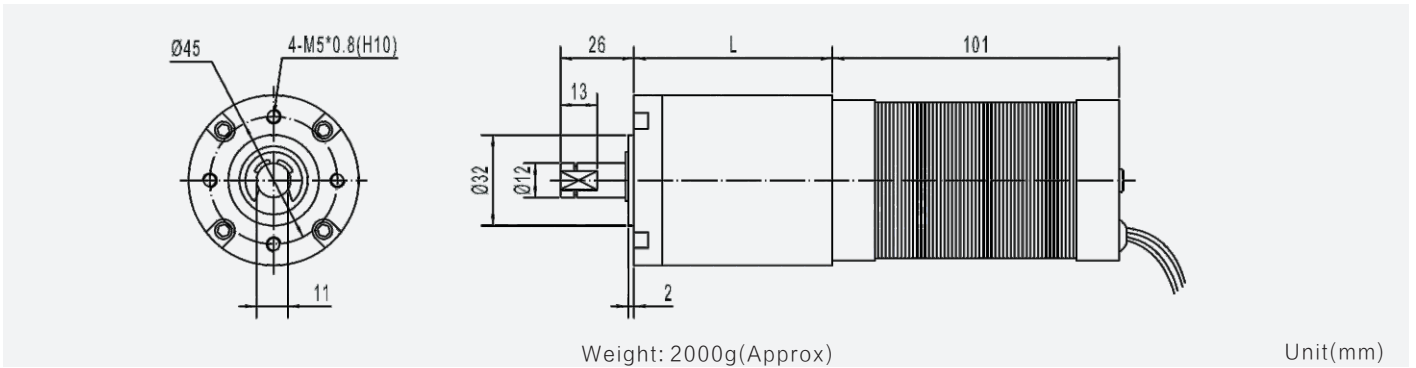


GMP60-TEC56100

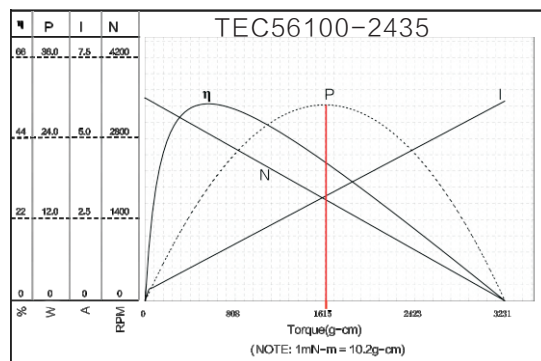
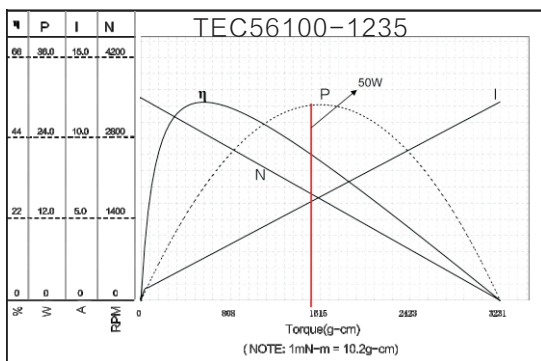
60mm planetary gearbox plus 60mm brushless motor

Module	1.0			
Rated torque (kg.cm)	200 kg.cm max			
Max momentary tolerance torque (kg.cm)	400 kg.cm max			
Reduction ratio	1/4	1/13 1/15 1/18	1/47, 1/55 1/65, 1/77	1/168, 1/198 1/234, 1/276 1/326
Number of gear stages	1	2	3	4
L (mm)	36	48	59	70



Gear Motor Technical Data		4	13	18	47	55	77	168	198	326
12.0V	Reduction ratio	4	13	18	47	55	77	168	198	326
	No-load speed(rpm)	870	260	190	72	62	45	20	18	11
	Rated speed(rpm)	760	230	170	65	55	40	18	15	9
24.0V	Reduction ratio	4	13	18	47	55	77	168	198	326
	No-load speed(rpm)	870	260	190	72	62	45	20	18	11
	Rated speed(rpm)	760	230	170	65	55	40	18	15	9
	Rated torque(kg.cm)	1.4	4.2	5.8	14	16	23	47	55	90

Motor Technical Data		No-load		Rated			Stall	
Motor model	Rated voltage	Speed	Current	Speed	Torque	Current	Torque	Current
		r/min	mA	r/min	g.cm	mA	g.cm	A
TEC56100-1235	12.0	3500	600	3050	400	1900	3200	4.5
TEC56100-2435	24.0	3500	300	3050	400	1000	3200	4.5



NOTE: the left side of red line area can continuous work