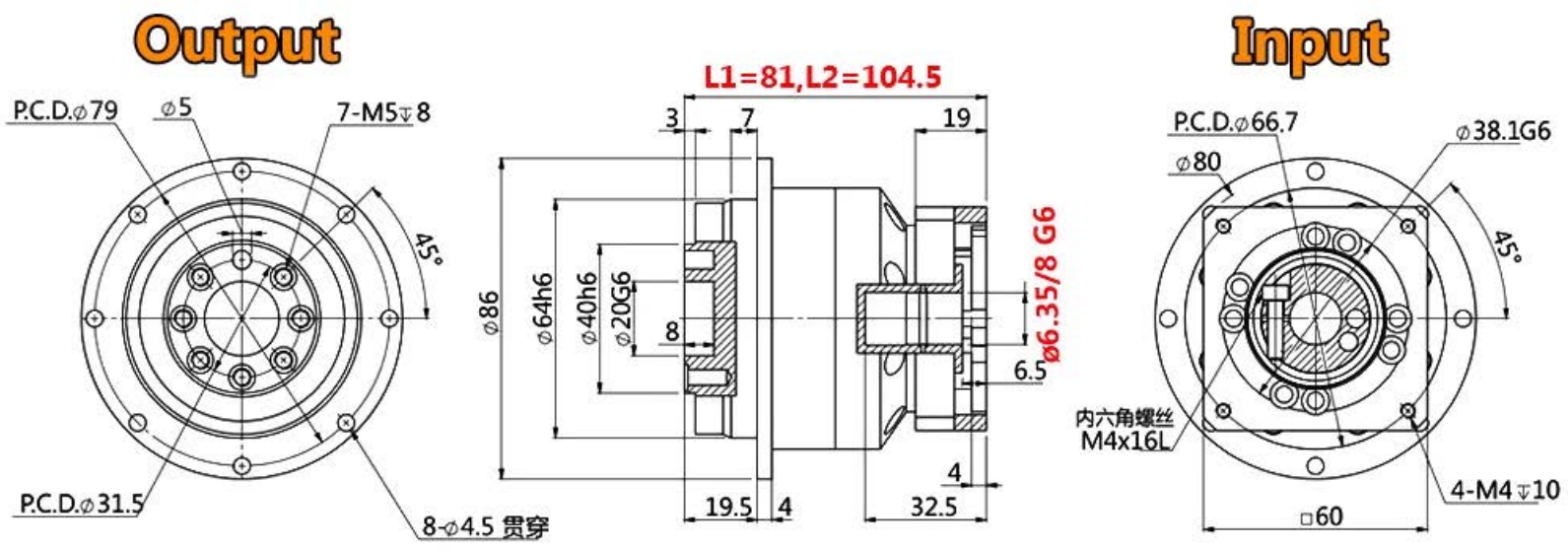
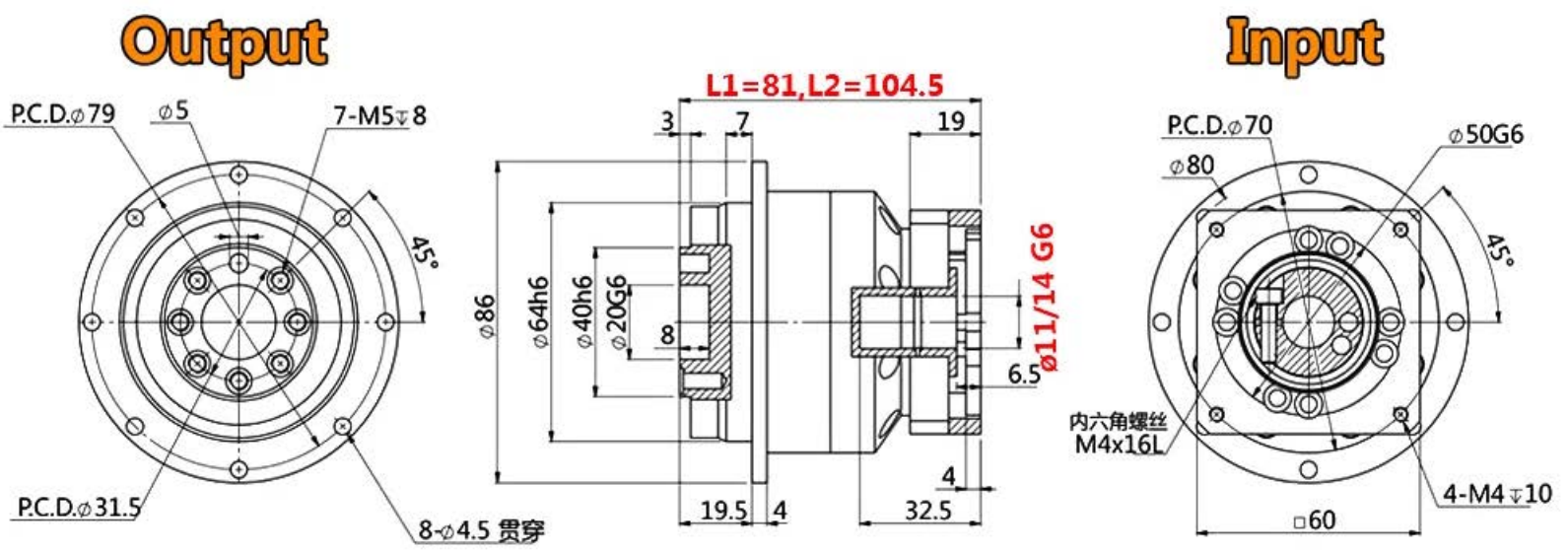


6.35mm/8mm Input for Nema23 57mm Flange Stepper Motor PLX060



11/14mm Input for 60mm Flange Servo Motor



BACKLASH

Less than 3 Arcmin (L1)
Less than 5 Arcmin (L2)



FLANGE OUTPUT

60mm~120mm Flange

